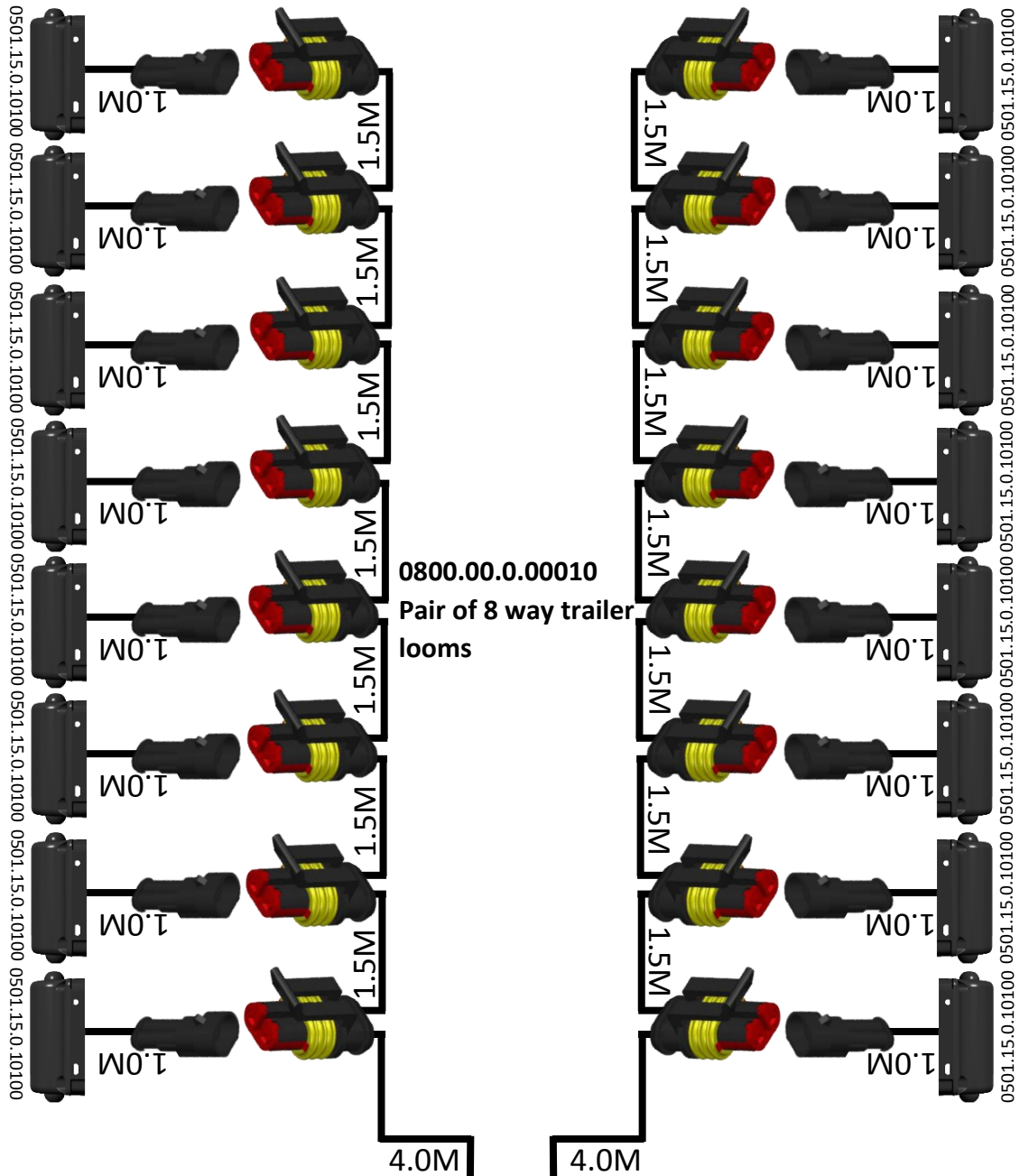


JBDL Schematic Layout for TRAILERS (including dual purpose side marker / direction indicators if fitted)



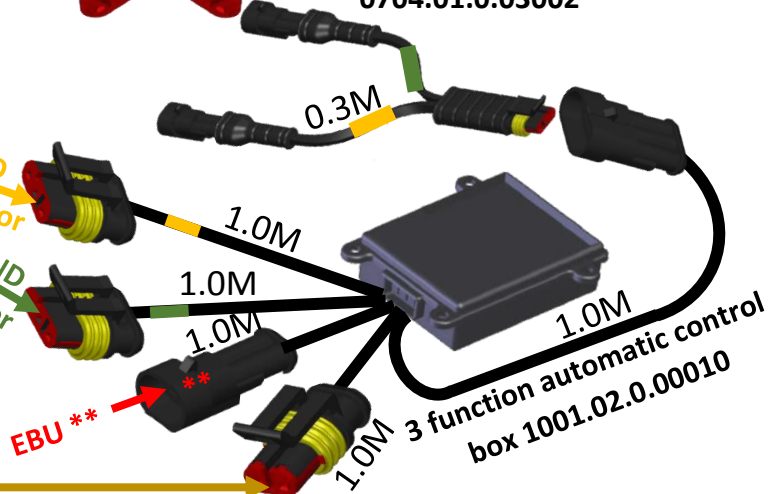
Layout for dual purpose side marker / direction indicators

NOT FITTED



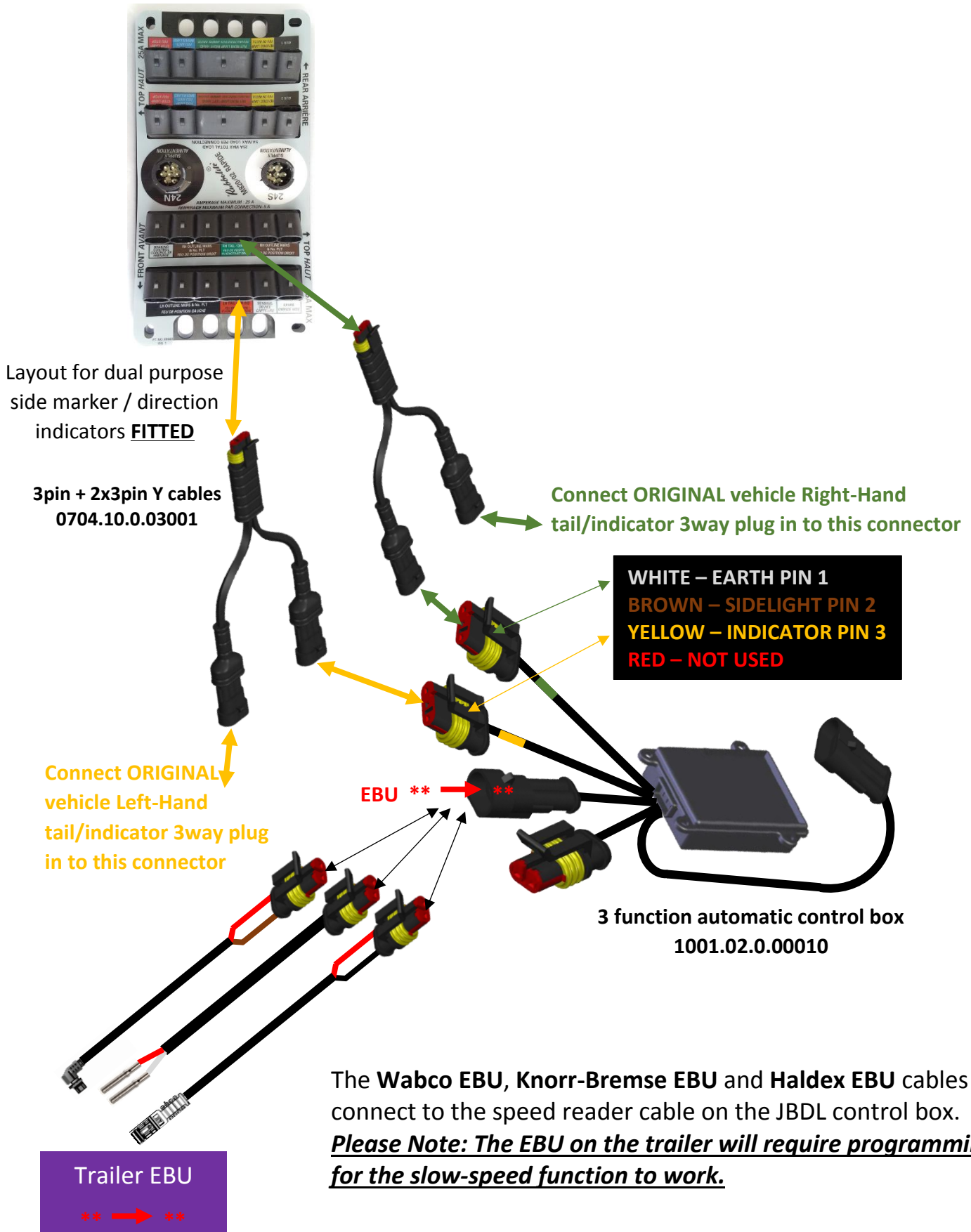
This ** → ** connector plugs in to the trailer EBU via the dedicated cable AUX 1 SWITCHABLE FEED FROM IGNITION SUPPLEMENTARY PIN4 OR EQUIVALENT

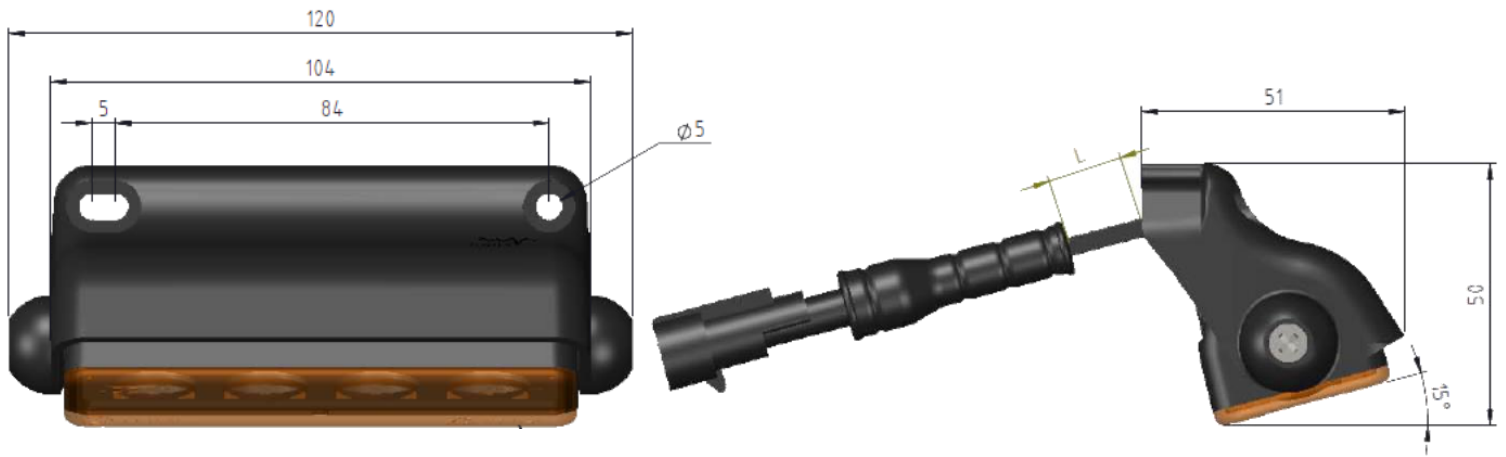
3pin x 2x2pin Y cable
0704.01.0.03002



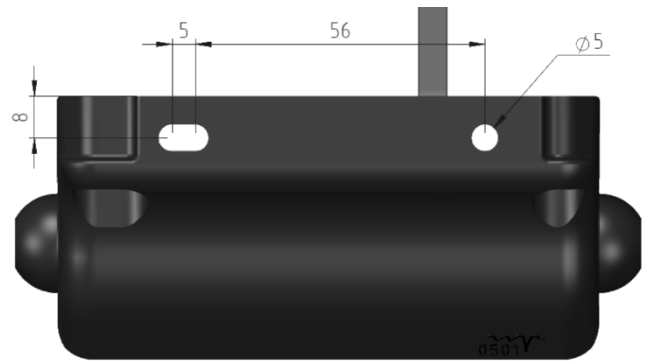
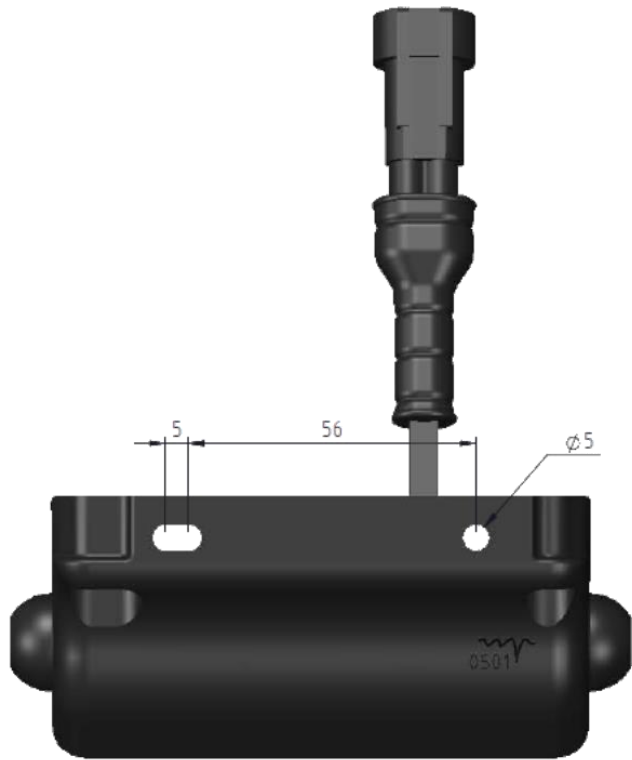
The layout below should be adopted if the vehicle / trailer has dual purpose side marker / direction indicators fitted. These 2 off, 3pin + 2 x 3pin Y connection cables (0704.10.0.03001) which are included in the complete kit, will be used to connect the **ORIGINAL VEHICLE** 3way connector, together with the JBDL downlight source, back in to the junction box main feed.

Please Note: If a converter cable is used to convert from Super Seal to anything else the JBDL colours for the wires are noted below on each connector, whether LH or RH are:





SINGLE downlight with adjustable vertical angle
0501.15.0.10100



Angular adjustment of downlight to accommodate height of fitment from the ground

